

# GOT5840T-834

8.4" SVGA TFT Fanless Touch Panel Computer with Intel® Celeron® Processor J1900

## Features

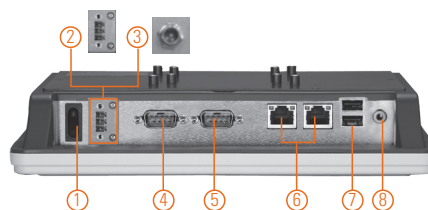
- 8.4" SVGA TFT LCD display with LED backlight
- Fanless cooling system with Intel® Celeron® processor J1900
- Ultra slim and super light design
- WLAN module and internal antenna
- PCI Express Mini Card slots for easy expansion
- 2 GbE LAN, 2 USB & 2 COM
- Supports panel mount/wall mount/VESA arm
- Plastic and IP65-rated front bezel



▲ Side view



▲ Desktop stand



1. Power switch (ATX)
2. Terminal block for DC power input or or
3. Screw conn. w/ AC power adapter
4. COM 1 (RS-232/422/485)
5. COM 2 (RS-232/422/485)
6. Ethernet x 2
7. USB 3.0 x 2
8. Audio (Line-out)



## Introduction

The GOT5840T-834 is an 8.4" Intel® Celeron®-based fanless touch panel computer. In response to market demand, this panel computer is a cost effective solution. It adopts a modern, super sleek and fanless design and is equipped with a 8.4" TFT LCD as well as Intel® Celeron® processor J1900 (Bay Trail). For wireless network connection, the GOT5840T-834 offers 2 PCI Express Mini Card slots. By just plugging in the mini card WLAN card, customers can have instant access to wireless LAN/GPRS/GSM/4G environments. Besides, it provides two types of power input. One is DC power input (9 to 36 VDC) with terminal block connector, and another is AC power adapter with screw type connector.

### Super Slim & Ultra Lightweight Design

The GOT5840T-834 is a super slim touch panel computer for space-limited environment with its thickness of 45 mm and weight of 1.3 kg only, which make it installed everywhere.

### Built-in Internal WLAN Antenna

The GOT5840T-834 provides 2 PCI Express Mini Card slots and a built-in WLAN antenna for wireless network connections. By simply plugging in the wireless LAN card, customers can use the GOT5840T-834 in a wireless LAN/GPRS/GSM/4G environments.

### Aluminum Back Chassis Excellent with Thermal Solution

With Axiomtek's patent for plastic plus aluminum mechanism design, the GOT5840T-834 can dissipate the heat easily and keep the system operation stable.

## Specifications

Front Bezel	IP65, NEMA 4 rugged protection, plastic front bezel
LCD Panel	Display Type 8.4" SVGA TFT LCD with LED backlight
	Brightness (cd/m <sup>2</sup> ) 350 nits
	Resolution 800 x 600
	Viewing Angel (H/V) 160°/140°
Main System	CPU Intel® Celeron® processor J1900 4 cores
	System Memory 1 x 204-pin DDR3L-1333 MHz SO-DIMM, up to 8GB
	BIOS AMI UEFI BIOS
	Storage 1 x CFast™ or mSATA
	Watchdog Timer 255 levels, 0 to 255 sec.
	Onboard Graphics Integrated in Intel® GFX

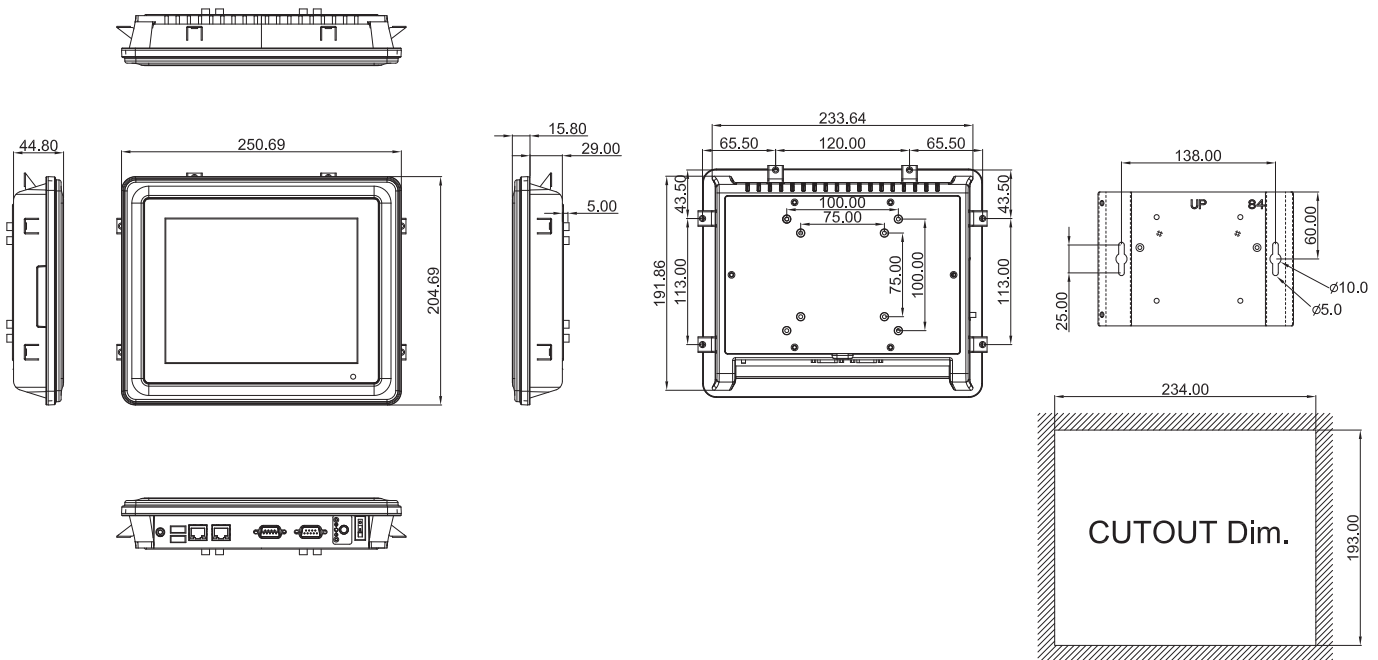
## Specifications

I/O Connector	2 x RS-232/422/485 (default RS-232, COM 1/2) 2 x USB 3.0 2 x 10/100/1000 Mbps Ethernet (Intel® i210IT) 1 x Audio (Line-out)
TPM	N/A
Expansion Interface	1 x full-size PCI Express Mini Card slot with mSATA 1 x full-size PCI Express Mini Card slot with SIM
Touchscreen	Resistive type
Power Input	1. DC version: 9 to 36 VDC with over-current protection fuse 2. AC version: 100 to 240 V AC-DC, 60W power adapter
Power Consumption	25 W
Dimensions	250.7 mm (9.87") (W) x 45.8 mm (1.80") (D) x 204.7 mm (8.06") (H)
Packing Dimensions	380 mm (14.96") (W) x 100 mm (3.94") (D) x 280 mm (11.02") (H)
Weight (net/gross)	1.3 kg (2.87 lb)/ 2.25 kg (4.96 lb)
Environment	Operating temperature: 0°C to+50°C (+32°F to+122°F) (with W.T. DRAM/HDD in airflow condition) 0°C to+45°C (+32°F to+113°F) (with W.T. DRAM) Relative humidity: 20% to90% @ +40°C; non-condensing Operation vibration: 2G, 5 to500 Hz, random for CFast™
Certificate	CE

## Packing List

- 1 x GOT5840T-834
- 1 x Driver CD
- 1 x Adapter (GOT5840T-834-J)
- 1 x Panel mount kit
- 1 x Wall mount kit
- 1 x Phoenix connector (GOT5840T-834 DC)

## Dimensions



## Ordering Information

GOT5840T-834-J	8.4" SVGA fanless touch panel computer with Intel® Celeron® processor J1900, 5-wire resistive touch screen, AC-DC 60W power adapter (screw type connector) and EMI class B
GOT5840T-834-DC	8.4" SVGA fanless touch panel computer with Intel® Celeron® processor J1900, 5-wire resistive touch screen and 9 to 36 VDC power input (terminal block connector)

### Optional

Wi-Fi + Bluetooth kit	
E226171106	Stand kit
881251203A0E	RFID kit

\* Specification and certifications are based on requirements and may vary.

## Optional EOS Installation

WES 7
WE8S
Windows® 10 IoT Enterprise

## Optional OS Installation

Windows® 7
Windows® 8.1
Windows® 10



▲ AC power adapter (for GOT5840T-834-J)

